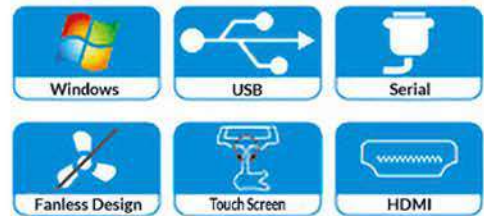




TPV 310

*Make
your store
shine!*



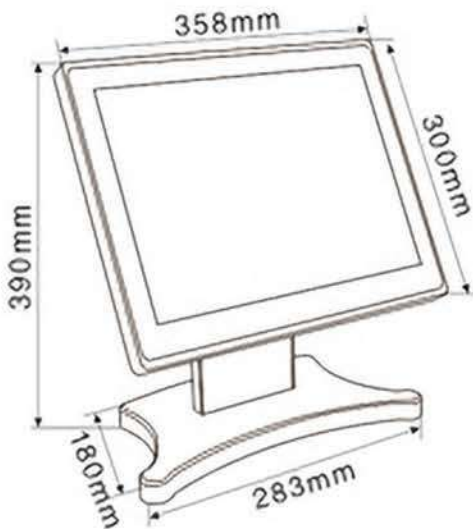
Features

- ◆ Ultra thin tablet-like touch screen
- ◆ Fanless Mainboard optional
- ◆ Can have colourful housing and various peripherals
- ◆ Small package size, save transportation cost
- ◆ Easy operation
- ◆ With full iron stand – stable and firm



TPV 310 System Configuration

Model	TPV 310
Main Board	POS motherboard
CPU	Intel J1900G, 2.0GHz Quad-core Processor
Memory	2G or 4G DDRIII
Hard Disk	32G / 64G / 128G SSD
Power	External Power Supply, Input:110V-240V 50/63Hz 2A, Output: 12V DC 8A 96W MAX
Interface	6 USB ports 1 LAN port 1-2 Serial ports 1VGA port 1 Audio input (MIC) 1 Audio output
Monitor	15" Touch LVDS LED resistive touch panel, compatible with ELO touch screen Standard , Resolution: 1024*768
Customer display	Optional: VFD customer display with 2 lines,40 digits
Carton box size	445*415*225mm



Interface

