

- Low-Power High-Performance Intel<sup>®</sup> Celeron<sup>®</sup> J1900 Quad-Core Processor
- Sleek and Compact Body with Small Footprint
  - Bezel-Free True-Flat PCAP Touch
- 15" Display with LED Backlight Delivering Bright and Crisp Images
  - Multiple I/O Interfaces for Peripherals
- Flexible Installation on a Counter or a Wall
  - Faster Installation and Serviceability
- Modern and Contemporary Styling for Interior Décor
- Engineered and Optimized for Hospitality and Retail Businesses



## Features & Benefits



### New Look. New Design

- Sleek and Compact. Small Footprint
- Modern and Contemporary Styling



### Powerful Performer

- Intel<sup>®</sup> Celeron<sup>®</sup> J1900 Quad-Core Processor
- Low-Power High-Performance. Fanless Operation



### Superior Touch Display

- Bezel-Free True-Flat 15" LED LCD Display
- PCAP Touch Activated with Fingers and Gloves



### Install It Anywhere

- On a Counter or a Wall
- VESA Compatible (Option)



### Save Time and Cost

- Easy Access to I/O Interfaces
- Faster Installation and Serviceability



### Connect It to All

- Multiple I/O Interfaces
- 6 USB, 5 Serial, Optional Expansion Available

#### Tunisie

Sfax : Av de la liberté, Im El Ilkan 3<sup>ème</sup> étage,  
B11 CP. 3027  
Tél : +216 74 415 055 Fax: +216 74 415 044

Tunis : Tunis : 7, rue du Lac Côme, Imm. Nessima,  
1<sup>er</sup> étage, B1 & B2, Les Berges du Lac, CP.1053.  
Tél. : +216 71 655 261

Sousse : Av Yasser Arafat, Résidence  
Chaïma, 4<sup>ème</sup> étage, B 401, Sahloul CP. 4054  
Tél. : +216 73 368 115

#### Algérie

Alger : Cooperative comps 2 villa N° 40, kouba  
Tél : +213 (0) 23 70 88 08 - MOB : +213 (0) 541 53 06 42

#### Sénégal

Dakar : 01, Avenue Pasteur, RDC Bloc Pasteur, CP. 10200, Dakar - Sénégal  
Tél : +221 33 821 85 38 - Mob : +221 78 147 82 73



# Specifications

General Specifications		Model : J19
System		
CPU	Intel® Celeron® J1900 (2.0 GHz) Quad-Core Processor / Fanless	
Chipset	ITE IT8786-I	
Storage	SATA 2 (3Gb/s) 2.5 inch SSD 64GB, Support AHCI	
Memory	4GB Standard (Max. 8GB)	
	Type: DDR3L 1333 MT/s / Socket 1x SODIMM	
Graphics Controller	Integrated Intel HD Graphics	
Audio	Realtek ALC662-VD 5.1 CH Audio	
LCD Display		
Size / Type	15" TFT LED Backlight	
Resolution	1024 x 768	
Luminance	300 cd/m <sup>2</sup> (typ.)	
Touch Screen		
Type	Projective Capacitive Touch	
Controller Interface	USB Interface	
I/O Interface		
Display Port	1x VGA (With 12V power output)	
USB Port	6 (Rear 2, Back 4 / USB 2.0 x 6 Ports), USB A type	
	1 (Rear 1, Reserved for MSR/SCR/I-Button), RJ-45 (COM 1 with 5V/12V power output on 9pins)	
Serial Port	5 (COM2-3 RJ-45 , Full Signal)	
	(COM4 RJ-11, Only TX/RX, 12V power output, Reserved for CDP)	
	(COM6 RJ-45, Only TX/RX, 5V power output, Reserved for MSR)	
Ethernet Port	RJ-45	
Audio	Line-out	
Power DC-IN	1 (4pins connector)	
Power Requirement		
Adaptor Input	Adaptor 12V, 5A	

OS Support	
OS	Windows 7, Windows 8.1, POS Ready 7, Windows 10
Mechanical & Environmental	
Operating Temperature	0°C ~ 60°C at 10% ~ 90% humidity
Storage Temperature	-20°C ~ 80°C at 10% ~ 90% humidity
Color	Dark Grey, White
Dimensions (W x H x D)	364 x 333 x 210 (mm)
Net Weight	5,300g
Packing Dimension (W x H x D)	500 x 470 x 300 (mm)
Packing Weight	8,000g
Certification	CE, FCC, KC, CB, CCC

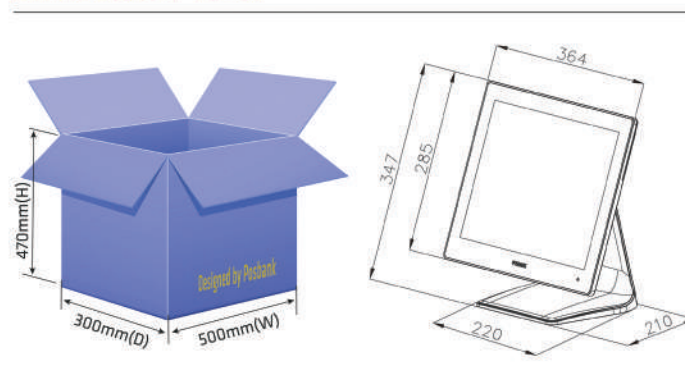
Optional Configuration	
Storage	2.5 inch SSD 128GB
	2.5 inch HDD 500GB
	2.5 inch HDD 1TB
I/O Expansion	1x COM5 (RJ-45 8pins) (Factory Option)
	1x Cash Drawer Port (RJ-11 6pins) (Factory Option)
Customer Display (CDP)	VFD (20 columns x 2 lines) 9.7" 2nd LCD (1024 x 768 resolution) 12.1" 2nd LCD (1024 x 768 Resolution) 15" 2nd LCD (1024 x 768 Resolution)
Magnetic Stripe Reader	MSR : Comply with ISO 7811, Support 16 2 & 3 track
Smart Card Reader	SCR : EMV level 1, 2
Dallas	Dallas I-button Reader
Camera	5M USB Interface (Internal) (Factory Option)
Wall Mount Kit	VESA-Compatible (75 x 75mm , 100 x 100mm)
Serial Conversion Cable	RJ-45 to D-sub 9

\*Other mounting options available upon request. \*Specifications may change without prior notice.

## Peripheral Options

	
<b>Customer Display</b> • VFD (2 Lines x 20 Characters)	<b>2nd Display</b> • 9.7", 12.1", 15" LCD
	
<b>Multi-Reader</b> • MSR, SCR	<b>POS Printers</b> • A7, A11

## Dimension View



**asm**  
Solutions Informatique et Multimédia

www.asmpos.com  
contact@asm.com.tn

**Tunisie**  
Sfax : Av de la liberté, Im El Ilkan 3<sup>ème</sup> étage, B11 CP. 3027  
Tél : +216 74 415 055 Fax: +216 74 415 044

**Algérie**  
Alger : Cooperative comps 2 villa N° 40, kouba  
Tél : +213 (0) 23 70 88 08 - MOB : +213 (0) 541 53 06 42

Tunis : Tunis : 7, rue du Lac Côme, Imm. Nessima, 1<sup>er</sup> étage, B1 & B2, Les Berges du Lac, CP.1053.  
Tél. : +216 71 655 261

Sousse : Av Yasser Arafat, Résidence Chaima, 4<sup>ème</sup> étage, B 401, Sahloul CP. 4054  
Tél. : +216 73 368 115

**Sénégal**  
Dakar : 01, Avenue Pasteur, RDC Bloc Pasteur, CP. 10200, Dakar - Sénégal  
Tél : +221 33 821 85 38 - Mob : +221 78 147 82 73

