

SpeedFace-V4L

Linux-Based Hybrid-Biometric Access Control & Time and Attendance Terminal with Visible Light Facial Recognition & Palm Recognition



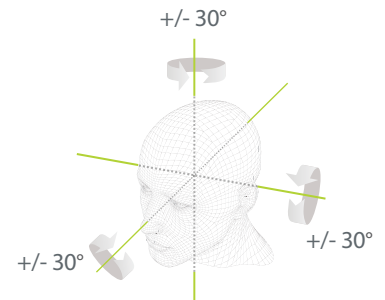
Compatible with
ZKBio Access IVS

Features

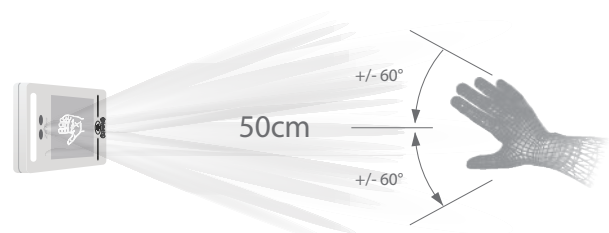
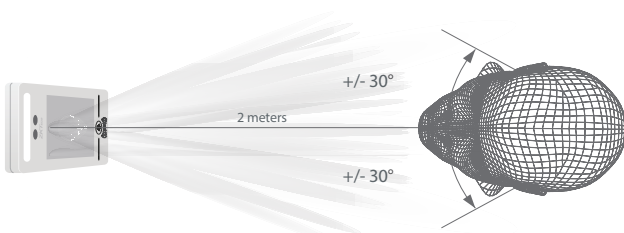
- Visible Light Facial Recognition
- Anti-spoofing algorithm against print attack (laser, color and B/W photos), videos attack and 3D mask attack
- Multiple verification methods: Face / Palm / Card / Password
- Available card modules: 125kHz ID card (EM) / 13.56MHz IC card / HID card / Felica card
- Supplement light with adjustable brightness
- 800 face templates capacity, 800 palm templates capacity

2 meters of recognition distance and extra wide angle recognition

The recognition distance has been greatly extended to 2 meters, which significantly improves the maximum traffic rate. While most of the algorithms only support +/-15° of detectable face angle, SpeedFace-V4L doubles the detection angle in terms of head rotation and tilt to +/- 30°.



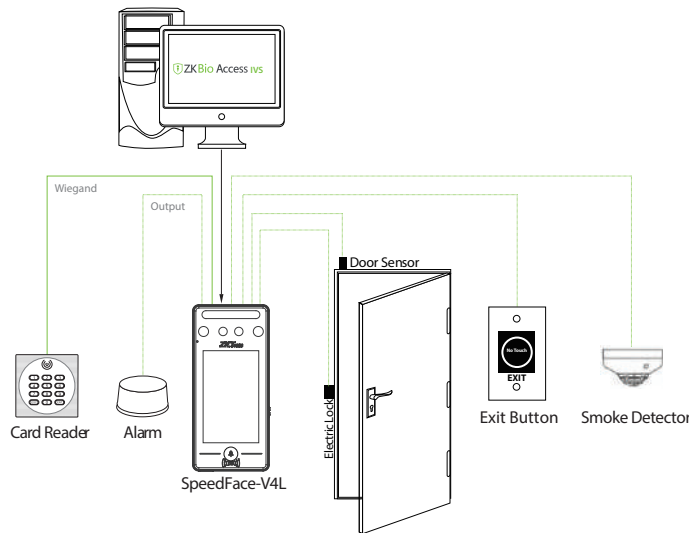
Touchless palm authentication method with a novel hand tracking technique allowing angle tolerance as wide as +/-60° in the roll axis and a recognition distance of 50cm.



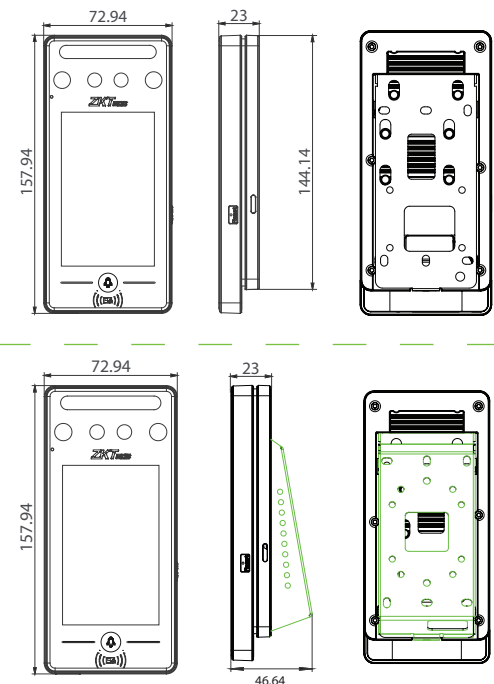
Specifications

Display	4" touch screen
Face Capacity	800
Palm Capacity	800
Card Capacity	1,000
Transactions	150,000
Operation System	Linux
Standard Functions	ID Card, ADMS, T9 Input, DST, Camera, 9-digit User ID, Access Levels, Groups, Holidays, Anti-passback, Record Query, Tamper Switch Alarm, Multiple Verification Methods, Palm Recognition, WiFi
Hardware	900MHz Dual Core CPU; 512MB RAM / 512MB Flash; 2MP Binocular Camera; Adjustable LED Supplement Lighting
Communication	TCP/IP,USB Host,WiFi, Wiegand Input/Output, RS485
Access Control Interface	3rd-party Electric Lock, Door Sensor, Exit Button, Alarm Output, Auxiliary Input
Optional Function	13.56MHz IC Card, HID card, Felica card, SRB Function, Cable Box
Facial Recognition Speed	≤1s
Biometrics Algorithms	ZKFace V5.8 & ZKPalm V12.0
Power Supply	12V 3A
Working Humidity	10% ~ 90%
Working Temperature	0°C ~ 45°C (32°F ~ 113°F)
Dimensions (W*H*D)	72.94 * 157.94 * 23 (mm)
Net Weight	260g
Gross Weight	850g
Supported Software	ZKBioAccess IVS

Configuration



Dimensions (mm)



TUNISIE

Sfax: Av de la Liberté, Imm. El Itkan 3^{ème} étage, B11, CP. 3027
 ☎(+216) 74 415 055 / 📠(+216) 74 415 044
 Tunis: 7, rue du Lac Côme, Imm. Nessima, 1^{er} étage, B1, B2 & B3
 Les Berges du Lac, CP.1053. ☎(+216) 71 655 261
 Sousse: Av. Yasser Arafat, Résidence Chaima, 4^{ème} étage,
 B 401, Sahloul, CP. 4054. ☎(+216) 73 368 115



ALGÉRIE

Alger: Cité 420 logements, bâtiment 17 n°1 El Hamiz, Dar
 El Beida, CP. 16033, Alger
 ☎+213 770 947 069 / +213 770 945 731



SÉNÉGAL

Dakar: 25, Avenue Pasteur, RDC Imm. Pasteur, CP. 10200
 ☎+221 78 147 82 73 / +221 33 821 85 38



MAURITANIE

Nouakchott: Tevragh-Zeina, Avenue
 Mokhtar Oulf Daddah
 ☎+222 49 12 14 94



FRANCE

Paris: 128 Rue de la Boetie 75008
 ☎+33 6 17 54 78 03

asm
 All Soft Multimedia

